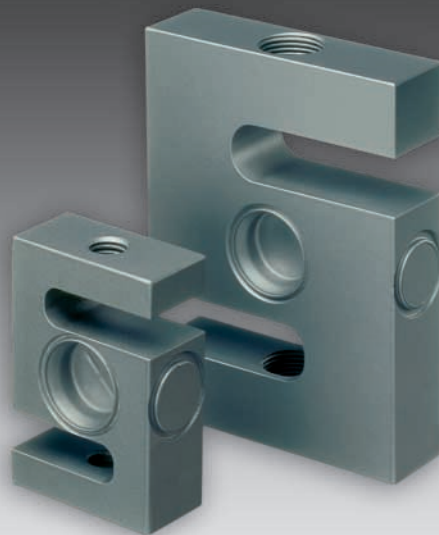




# MP 46

## S-Type Load Cell



### 500kg... 5t Type N/C3

- High quality alloy steel
- Aluminized coated finish for outstanding corrosion resistance
- Hermetically welded seal (IP 67)
- Approved according to OIML R60

### Applications

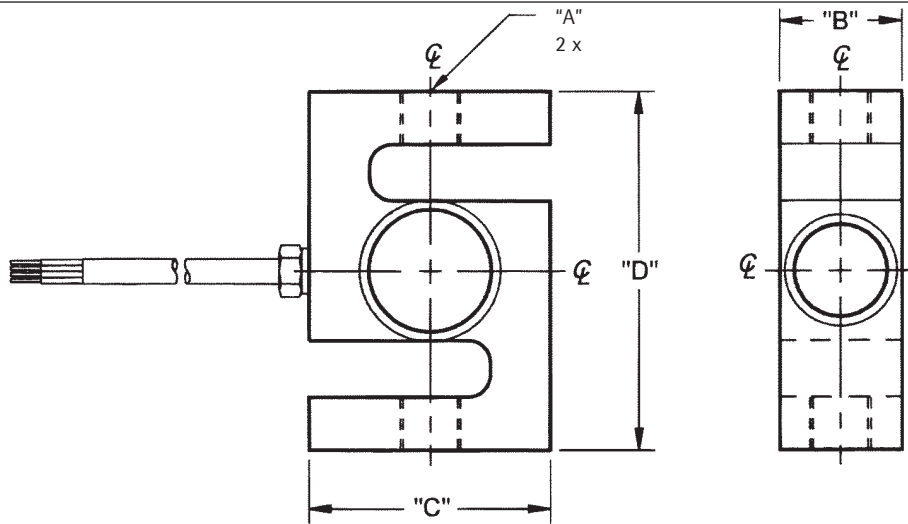
- Mechanical scale conversions
- Suspended vessels
- Ideal for tension applications

Technical Data		N	C3	
Accuracy class		0.03	0.025	%
Minimum dead load	$E_{min}$	2	2	% $E_{max}$
Rated capacity	$E_{max}$	s. table	s. table	
Safe overload	$E_U$	150	150	% $E_{max}$
Destructive load	$E_d$	> 300	> 300	% $E_{max}$
Minimum LC verification interval $v_{min} = E_{max}/Y$	Y	-	6,667	
Rated output	$C_n$	2	2	mV/V
Tolerance on rated output	$d_c$	$\leq 0.25$	$\leq 0.25$	% $C_n$
Zero output signal	$S_{min}$	$\leq 1$	$\leq 1$	% $C_n$
Repeatability	$\epsilon_R$	$\leq 0.012$	$\leq 0.012$	% $C_n$
Creep, during 30min.	$d_{cr}$	$\leq 0.03$	$\leq 0.017$	% $C_n$
Temperature effect on $S_{min}$	$TK_{S_{min}}$	$\leq 0.028$	$\leq 0.021$	% $C_n/10K$
Temperature effect on C	$TK_c$	$\leq 0.014$	$\leq 0.011$	% $C_n/10K$
Input impedance	$R_{LC}$	$350 \pm 7$	$350 \pm 7$	$\Omega$
Output impedance	$R_o$	$352 \pm 3$	$352 \pm 3$	$\Omega$
Insulation impedance	$R_{IS}$	> 2,000	> 2,000	M $\Omega$
Recommended supply voltage	$B_u$	10	10	V
Maximum supply voltage	$U_{max}$	15	15	V

Technical Data		N	C3	
Nominal ambient temperature range	B <sub>T</sub>	-10 to +40	-10 to +40	° C
Usable ambient temperature range	B <sub>TU</sub>	-20 to +65	-20 to +65	° C
Nominal deflection	S <sub>nom</sub>	≤ 0.3	≤ 0.3	mm
Cable	-	6m, 4 wires with screen	6m, 4 wires with screen	
Protection class	-	IP 67	IP 67	

Definitions acc. to VDI/VDE 2637, Technical data and dimension for product description only. Data subject to change without notice.

- Temperature effect on sensitivity and combined error (accuracy class) are combined in such a way that the load cells meet the tolerance envelope of the OIML recommendations R60.
- When selecting load cells for a particular environment, the IP rating should only be used as a guide. Care should be given to the design of the weighing product to protect the load cell.
- The correct mounting of the load cell is essential to obtain optimum performance.

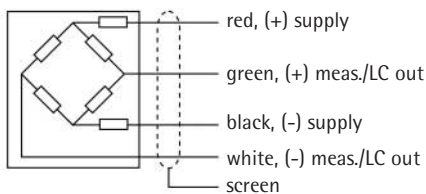


Dimensions all in mm

Capacity	A	B	C	D	Weight
500kg	M12 x 1.75	24.6	50.5	75.4	1.5kg
1t, 2t	M20 x 1.5	24.6	50.5	75.4	1.5kg
3t - 5t	M20 x 1.5	24.6	88.9	120.6	2.5kg

#### Accessories

Type	Description	Order number
MP46/81	swivel eye for S-type (500kg)	9408 800 46811
MP46/82	swivel eye for S-type (1t... 5t)	9408 800 46821



#### Order information

Type	Order number	Type	Order number	Max. capacity (2mV/V)
MP46/52 N	9408 800 46521	MP46/52 C3	9408 800 46527	500kg
MP46/13 N	9408 800 46131	MP46/13 C3	9408 800 46137	1000kg
MP46/23 N	9408 800 46231	MP46/23 C3	9408 800 46237	2000kg
MP46/33 N	9408 800 46331	MP46/33 C3	9408 800 46337	3000kg
MP46/53 N	9408 800 46531	MP46/53 C3	9408 800 46537	5000kg

Specifications subject to change without notice.  
Printed in Germany.  
n/sart • C  
9498 708 46001  
Version 01.2005

Sartorius Hamburg GmbH  
Meiendorfer Straße 205  
22145 Hamburg, Germany  
Tel. +49.40.67960.303  
Fax +49.40.67960.383  
www.sartorius.com